

TopLine 30

Expanding the boundaries
of patient-focused solutions



TopLine 30 – Flush wall-mounted bedpan washer/disinfector

TopLine 30 – Flexible, integrated solutions improve hygiene for patients and nursing staff

Patient-focused solutions are an increasingly popular choice when it comes to planning infection control systems in hospitals. By integrating bedpan washer/disinfectors in ensuite bathrooms or directly in patients' rooms, these new solutions maximise hygiene by minimising the distance bedpans are transported.

The MEIKO *TopLine 30* is a perfect example. This wall-mounted cleaning and disinfection appliance offers state-of-the-art technology and an impressive array of design options to suit any environment.

Taking hygiene to the next level:

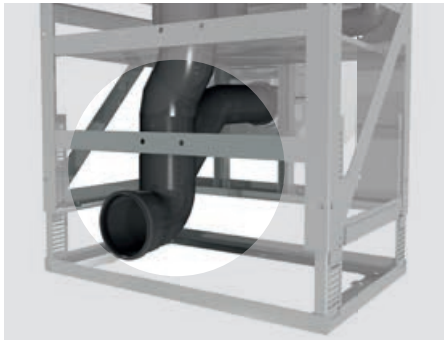
MEIKO is renowned for pushing the boundaries of hygiene excellence. We deliver your *TopLine 30* fully pre-assembled and perfectly tailored to your on-site needs and requirements. So you get the perfect solution without any additional overheads!

Installing the TopLine 30:

A stainless steel frame structure containing all the necessary plumbing connections is securely anchored in the wall – and the bedpan washer and toilet simply slot straight into the frame.



Enjoy the benefits of a tailor-made solution



Customer-specific planning solutions tailored to the configuration of the drain in each case.



Improved hygiene thanks to automatic door opening system – choose between a touchless sensor on the front of the unit or a push button installed anywhere in the room.



Adaptable to on-site requirements: flush button can be positioned where you choose – pressing it sends a wireless signal which activates the flush.



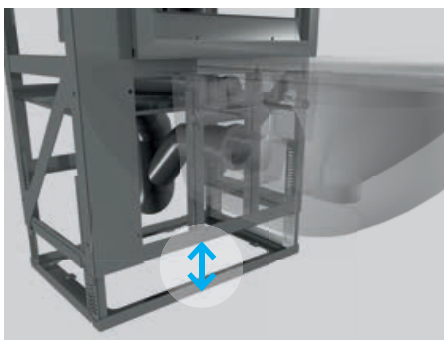
Easier access to detergent and rinse aid – canisters are housed in a separate compartment/cabinet.



Enhanced patient safety thanks to optical proximity switch. The wash chamber door cannot be opened if the toilet is occupied.



High load-bearing capacity thanks to braced installation frame. Specially designed for bariatric toilets.



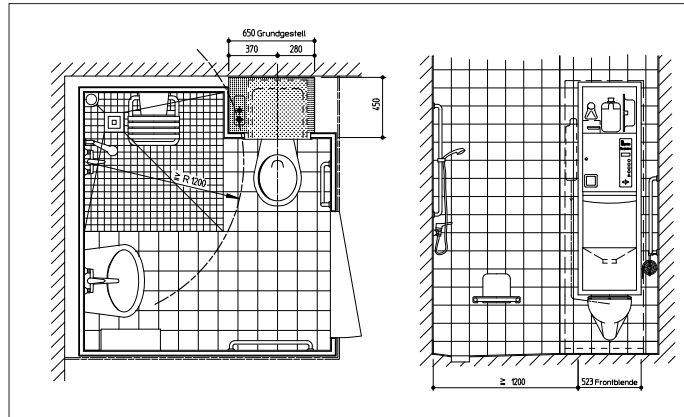
Height of WC can be adapted for disabled patients thanks to height-adjustable frame.



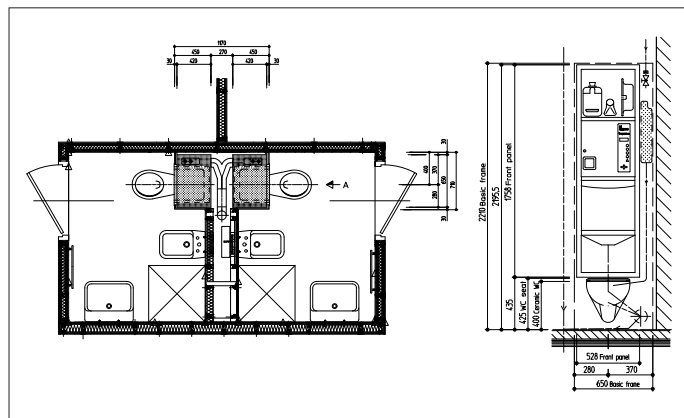
Easy installation of arm supports thanks to fully pre-assembled stainless steel brackets including bolted-in nuts. Flush buttons integrated in hinged support rail for maximum ease of use.

TopLine 30 – Versatile design options

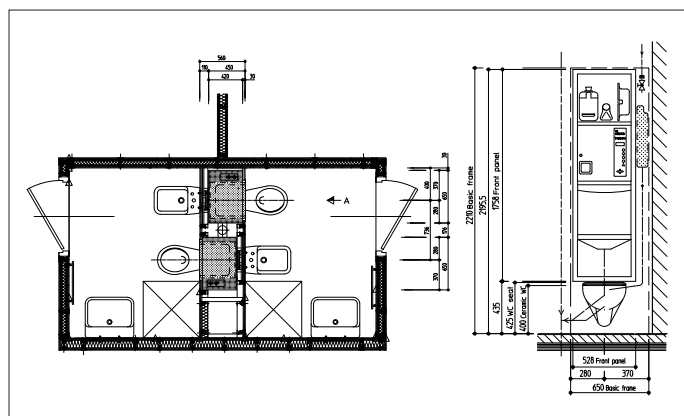
Example configurations



TopLine 30 single unit



TopLine 30 units back-to-back



TopLine 30 units adjacent to each other

Combination of two TopLine 30 units



MEIKO offers customer-specific TopLine 30 solutions in countries all over the world.